

Dear customer,

Thank you very much for choosing the Noctua NF-A12x25 G2 PWM Sx2-PP.

The NF-A12x25 G2 PWM Sx2-PP is a set of two NF-A12x25 G2 PWM square-frame 120mm fans for push-pull operation such as on water cooling radiators.

When two fans operate in a push-pull configuration running at the exact same speed, their acoustic interaction can lead to undesirable harmonics phenomena such as intermittent vibrations or periodic humming. Therefore, the two NF-A12x25 G2 PWM fans contained in the Sx2-PP set are slightly offset in speed (+/- ~50rpm) in order to ensure optimal acoustics in push-pull configurations.

Enjoy your NF-A12x25 G2 PWM Sx2-PP fans!

Yours sincerely,



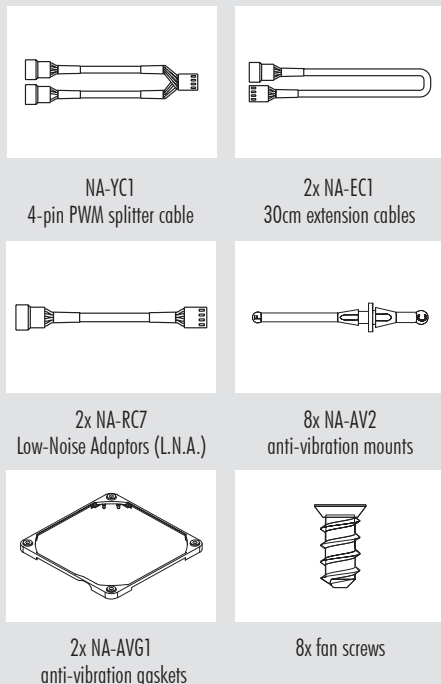
Roland Mossig, Noctua CEO

This document includes some instructions for installing, running and cleaning your NF-A12x25 G2 PWM Sx2-PP fan set.

Should you encounter any difficulties, please check the FAQs on our website ([faq.noctua.at](https://www.noctua.at/faq)) and don't hesitate to contact our support team at support@noctua.at.

Multilingual versions of this manual are available on our website: www.noctua.at/manuals

Included mounting parts:



1 Installation

Caution: Please remove the protective paper from the inside of the fan frames before use.

Before installing the fan, consider the desired airflow direction for your setup. The fan's airflow direction is indicated by arrows on the fan frame.

When using the fan in a PC, also take note of the placement of the fan headers on your motherboard. This will help you determine the best fan orientation for effective cable management.

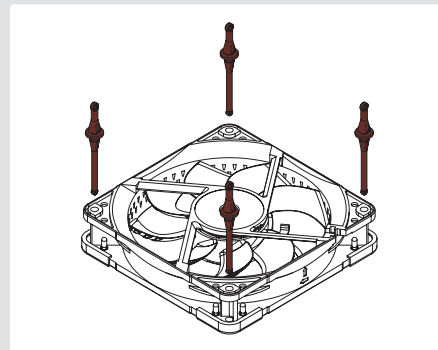
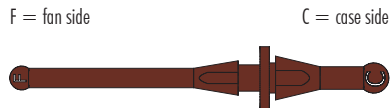
For installing your NF-A12x25 G2 PWM fans on a CPU heatsink or watercooling radiator, please use the fan mounting mechanism supplied with said product (fan clips, screws, etc.).

The included NA-AVG1 gasket can be used instead of the pre-installed anti-vibration pads for optimal cooling performance on watercooling radiators and other applications that benefit from a tighter seal with the fan.

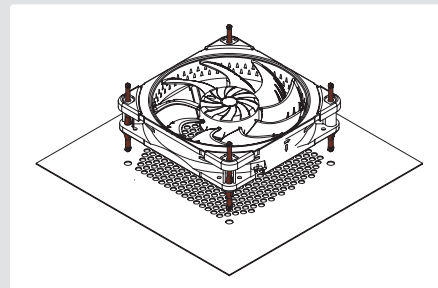
To replace an existing 120mm fan with the NF-A12x25 G2 PWM in other devices, it is generally recommended to use the original fan's mounting hardware (screws etc.).

When installing the NF-A12x25 G2 PWM as a case fan, you can either use the supplied mounting screws or NA-AV2 silicone anti-vibration mounts.

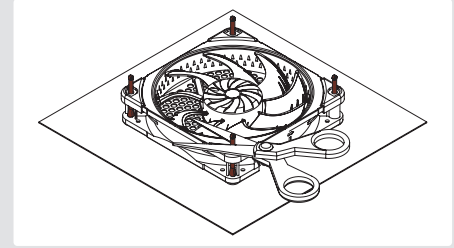
For installing the fan using the NA-AV2 mounts, please first pull the F side through the fan's mounting holes.



Then turn the fan around and pull the C side through the mounting holes of the case.



If the long ends of the mounts are in the way, you can use scissors to cut them after installation. Note that this will then make them difficult to reinstall in the future.



If you prefer anti-vibration mounts with flat case-side ends, please purchase the optional NA-AV4 mounts.

2 Connection

The NF-A12x25 G2 PWM comes with a 4-pin PWM fan connector for fully automatic speed control via your motherboard's 4-pin PWM fan headers. Please note that the fan can also be connected to 3-pin fan headers though. When connected to 3-pin fan headers, the NF-A12x25 G2 PWM will run at full speed (unless the motherboard supports voltage based speed control).

If you're using multiple NF-A12x25 G2 PWM fans, you can use the supplied splitter cable (NA-YC1) to connect several fans to one PWM fan header. This way, your motherboard will set all the connected fans to run at the same PWM level.

The NF-A12x25 G2 PWM features a short 20cm primary cable in order to help you minimise cable clutter in typical applications. If you need a longer cable, please add the supplied 30cm extension (NA-EC1).

The NF-A12x25 G2 PWM comes with a Low-Noise Adaptor (NA-RC7) that allows you to reduce the fan speed from 1800 to 1500rpm. You can either use the adaptor to set the fan to a fixed speed of 1500rpm (if speed control is deactivated) or to cap the maximum speed to 1500rpm during PWM speed control.

3 Cleaning and maintenance

Fans inside computer cases tend to accumulate dust over longer periods of usage. To maintain maximum performance, please clean your fans regularly using a duster, slightly moist tissue or canned air. Please be careful not to use too much force in order to prevent any damage to the fan. Please don't use a vacuum cleaner as this may apply excessive force to the fan. When using compressed air to clean the fan, hold the fan blades to prevent them from spinning at high speeds and avoid bearing damage.

To ensure flawless operation over many years of usage, the NF-A12x25 G2 PWM premium grade SSO2 bearing is fully sealed to prevent the entering of fine dust particles.

Please note that the fan is not designed to be taken apart by



the user. Removing the impeller from the frame will break the sealing of the bearing and results in a loss of warranty.

! Warranty, support and FAQs

Even with high-grade products and strict quality control, the possibility of defects cannot be eliminated entirely. Therefore, we aim at providing the highest possible level of reliability and convenience by offering a warranty period of 6 years and direct, fast and straightforward RMA service.

Should you encounter any problems with your NF-A12x25 G2 PWM Sx2-PP fan set, please don't hesitate to contact our support team (support@noctua.at).

Please also consult the FAQ section on our website: faqs.noctua.at