

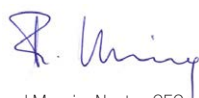


Dear customer,

Congratulations on choosing the Noctua NH-L9i-17xx chromax.black. This small cooler packs all essential technologies of our award-winning high-end models into a highly compact package in order to give you the best possible quiet cooling experience for HTPCs and small form factor builds. I'm confident that you will be able to sense some of the research, attention and care we've put into making this product.

Enjoy your NH-L9i-17xx chromax.black!

Yours sincerely,



Roland Mossig, Noctua CEO

This manual will guide you through the installation process of the SecuFirm2™ mounting system step by step.

Prior to installing the cooler, please consult the compatibility centre on our website ([ncc.noctua.at](http://ncc.noctua.at)) and verify that the cooler is fully compatible with your motherboard.

Please also make sure that your PC case offers sufficient clearance for the cooler and that there are no compatibility issues with any other components (e.g. tall RAM modules).

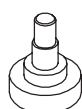
Double check that the heatsink does not make contact with the VGA card, other PCIe cards, motherboard heatsinks or any other components.

Noctua cannot be held responsible for any damage or losses caused by compatibility issues.

Should you encounter any difficulties, please check the FAQs on our website ([www.noctua.at/faqs](http://www.noctua.at/faqs)) and don't hesitate to contact our support team at [support@noctua.at](mailto:support@noctua.at).

Multilingual versions of this manual are available on our website: [www.noctua.at/manuals](http://www.noctua.at/manuals)

## Required mounting parts:

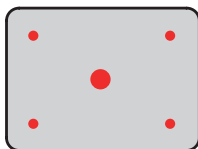


4x NM-IBT4 mounting screws

## 1 Applying the thermal paste

If there are residual traces of thermal paste or thermal pads on your CPU, please clean them off first.

Then apply the supplied NT-H1 thermal paste onto the CPU as shown below (4 dots with ~2mm diameter near the corners plus 1 dot with 3-4mm diameter in the centre):

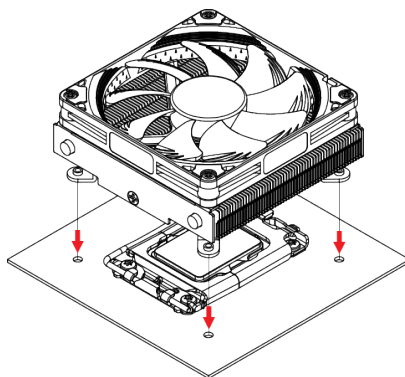


**Caution:** Applying too much thermal paste will lower heat conductivity and cooling performance!

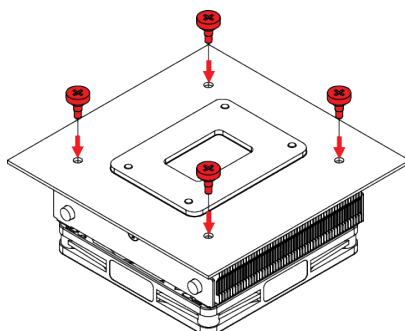
## 2 Fastening the heatsink to the CPU

Put the heatsink onto the CPU and fix it from the rear side of the motherboard using the mounting screws. Perform 2-3 turns on each screw, then repeat until all are fully tightened.

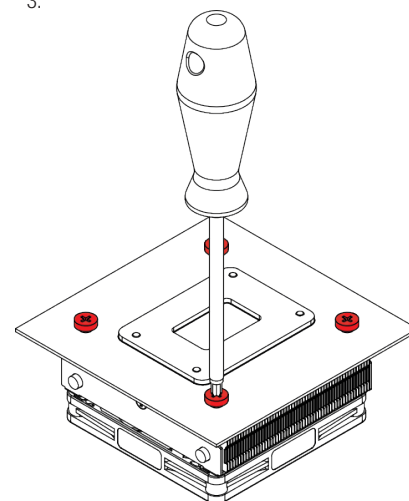
1.



2.



3.



**Caution:** Gently tighten the screws until they stop, but do not use excessive force (max. torque 0.6 Nm).

## 3 Fan setup

Connect the fan to the motherboard. Depending on your CPU and the temperature inside the case, you may interconnect the supplied NA-RC7 Low-Noise Adaptor (L.N.A.) in order to further reduce the fan's operating noise.

**Caution:** When using the L.N.A., check the temperature of your CPU using appropriate software (e.g. the respective applications of your motherboard manufacturer), in order to evade automatic throttling of the CPU due to the increased temperature. If the cooling performance is insufficient, please increase case ventilation or remove the L.N.A.

In case you would like to use a 92x25mm fan for further improved performance, please first unscrew the pre-installed NF-A9x14 fan and use the supplied longer screws to install the 92x25mm fan.

## ! Warranty, support and FAQs

Even with high-grade products and strict quality control, the possibility of defects cannot be eliminated entirely.

Therefore, we aim at providing the highest possible level of reliability and convenience by offering a warranty period of 6 years and direct, fast and straightforward RMA service.

Should you encounter any problems with your NH-L9i-17xx chromax.black, please don't hesitate to contact our support team at [support@noctua.at](mailto:support@noctua.at).

Please also consult the FAQ section on our website: [www.noctua.at/faqs](http://www.noctua.at/faqs)